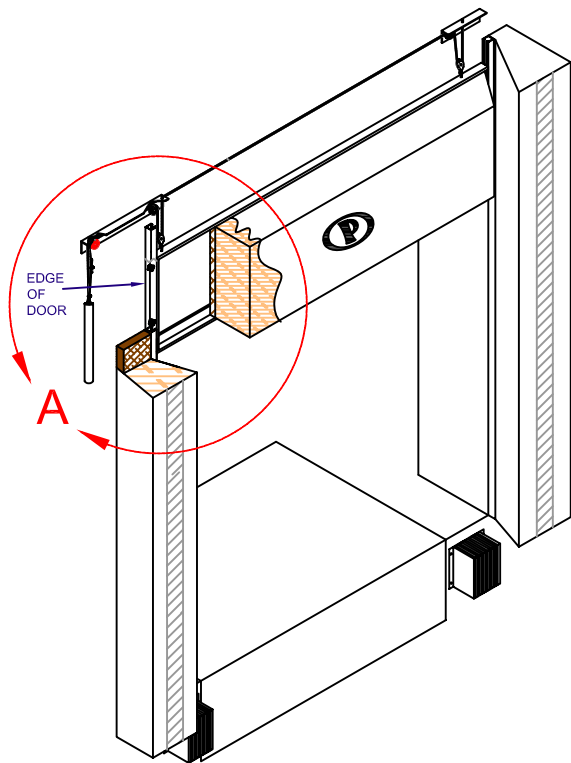
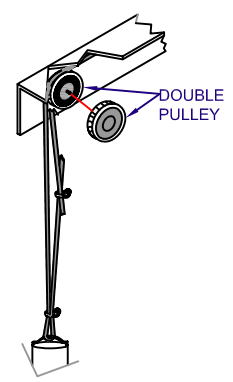
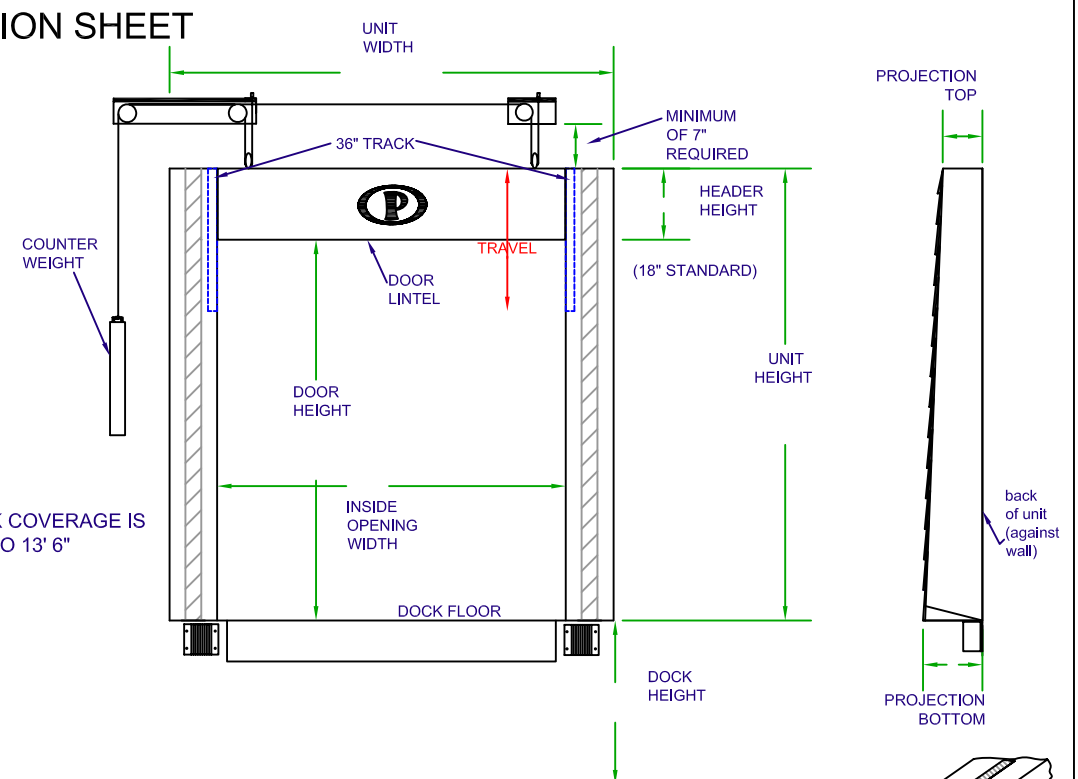


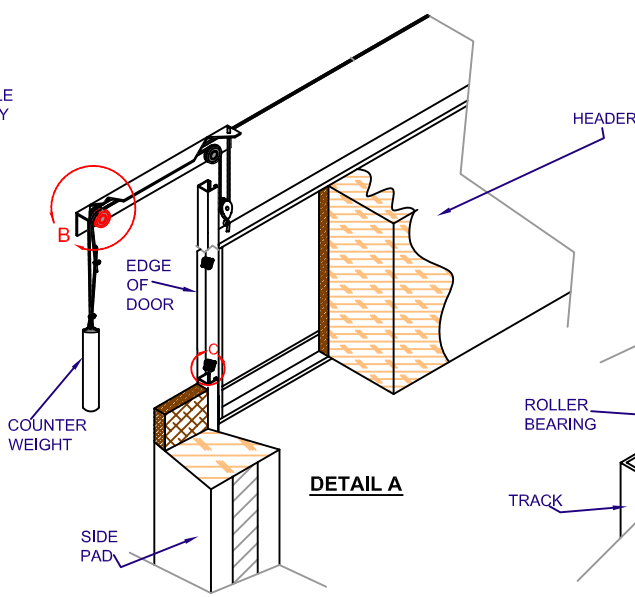
# "AH" ADJUSTABLE HEADER DOCK SEAL SPECIFICATION SHEET



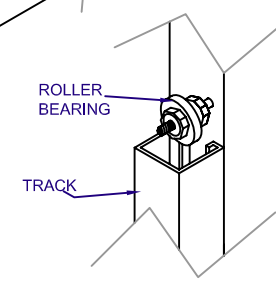
NOTE:  
TRUCK COVERAGE IS  
10' 6" TO 13' 6"



DETAIL B

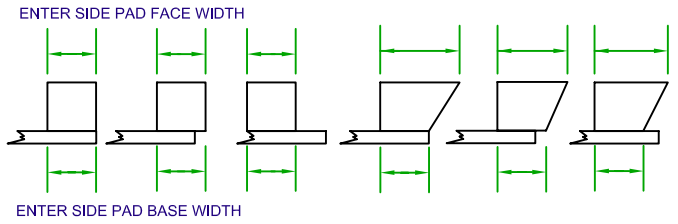


DETAIL A

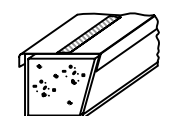


DETAIL C

SIDE PAD MOUNTING VARIATIONS: CIRCLE ONE:



SINGLE BASE FABRIC



BASE FABRIC WITH CONTACT FACE

QUANTITY: _____ MODEL: _____ UNIT SIZE: _____ WIDTH, _____ HEIGHT HEAD CURTAIN: _____ WIDTH, _____ DROP INSIDE OPENING WIDTH: _____ INSIDE OPENING HEIGHT: _____ PROJECTION: _____ TOP, _____ BOTTOM SIDE PAD: _____ HEIGHT, _____ WEDGE CHAIN FLAP: _____ WIDTH, _____ LENGTH BASE FABRIC: _____, COLOR: _____ FACE FABRIC: _____, COLOR: _____	DOOR SIZE: _____ WIDTH, _____ HEIGHT DOCK HEIGHT: _____, BUMPER PROJECTION: _____ APPROACH: <input type="checkbox"/> LEVEL <input type="checkbox"/> DECLINE <input type="checkbox"/> INCLINE _____" DIFFERENCE IN 50'-0"
SPECIAL INFORMATION	OPTIONS: <input type="checkbox"/> VELCRO SLIT: _____ HEIGHT. <input type="checkbox"/> 3 ROPE PULL-UP <input type="checkbox"/> UNIT SUPPORT FRAME: <input type="checkbox"/> WOOD <input type="checkbox"/> STEEL <input type="checkbox"/> INSIDE WRAP - MATERIAL: _____, HEIGHT: _____


**PERMA TECH, INC.**  
 363 HAMBURG STREET • BUFFALO, NY 14204  
 (716) 854-0707 • 1-800-DOC-SEAL  
[www.permatechinc.com](http://www.permatechinc.com)

JOB: \_\_\_\_\_  
 DEALER: \_\_\_\_\_  
 CONTACT: \_\_\_\_\_ QUOTE #: \_\_\_\_\_  
 APPROVED BY SIGNATURE: \_\_\_\_\_