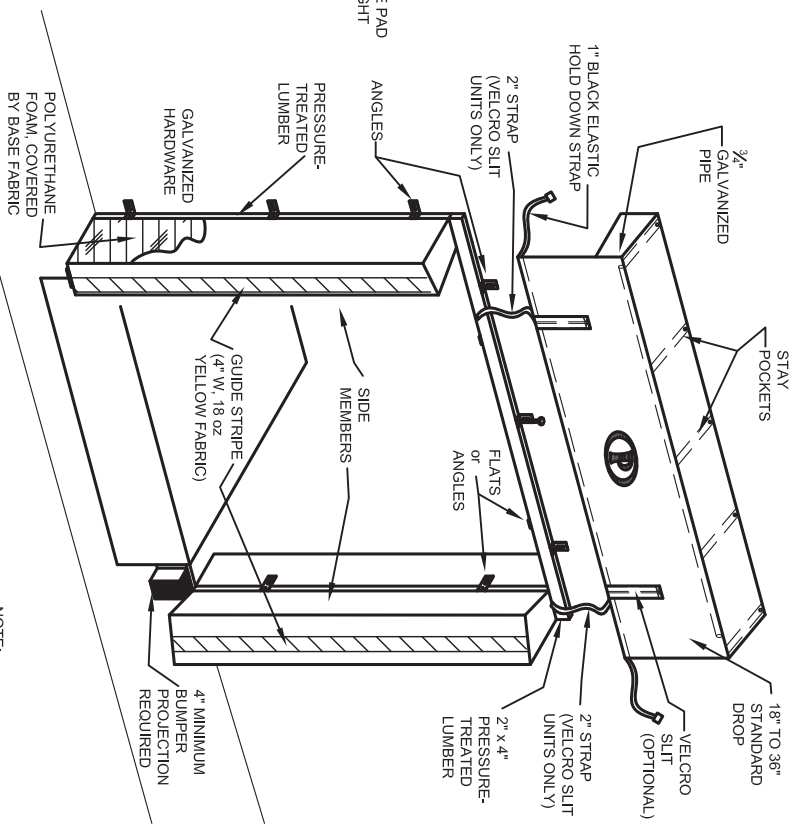
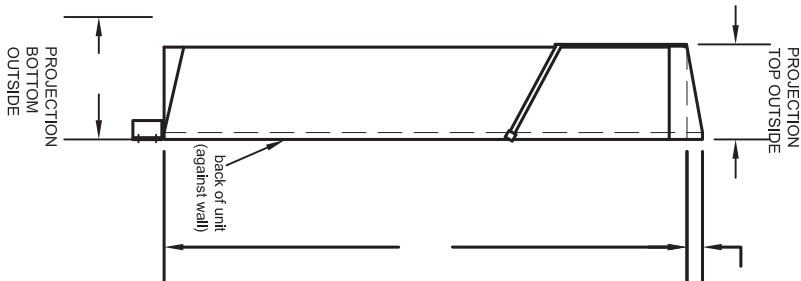
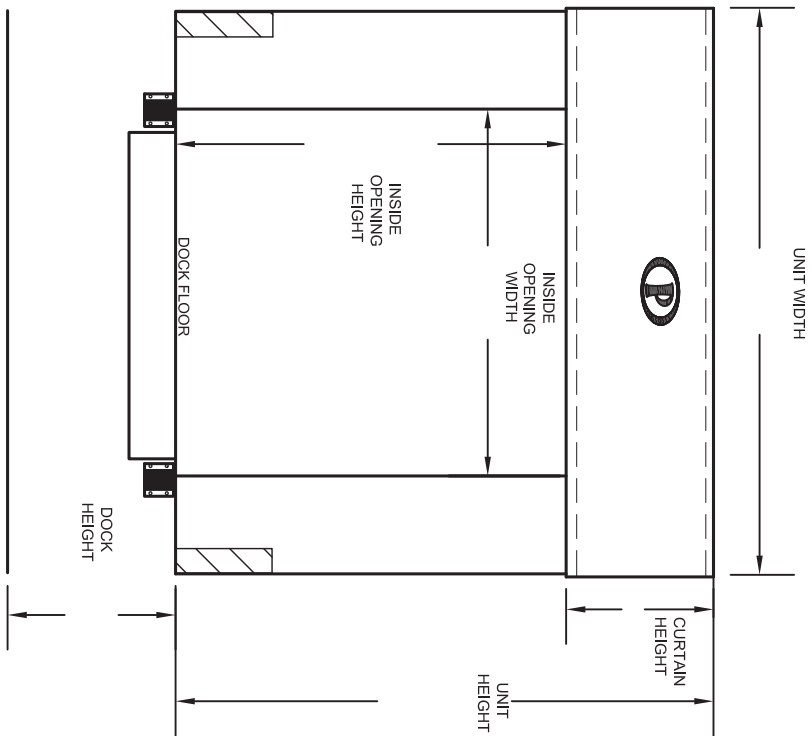


REDUCER DOCK SEAL SPECIFICATION SHEET

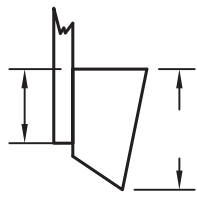


DESIGNED FOR DOORS 9' OR HIGHER

NOTE:
LOCATION OF ANGLES & FLATS DETERMINED BY INSTALLER TO SUIT WALL CONFIGURATIONS.

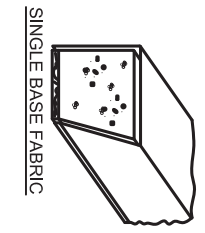
SIDE PAD MOUNTING VARIATIONS: CIRCLE ONE:

ENTER SIDE PAD FACE WIDTH:

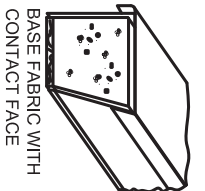


CANTED FACE

ENTER SIDE PAD BASE WIDTH:



SINGLE BASE FABRIC



BASE FABRIC WITH CONTACT FACE

QUANTITY: _____ MODEL: _____
 UNIT SIZE: _____ WIDTH, _____ HEIGHT
 HEAD CURTAIN: _____ WIDTH, _____ DROP
 SIDE PAD: _____ HEIGHT, _____ WEDGE
 INSIDE OPENING WIDTH: _____
 INSIDE OPENING HEIGHT: _____
 PROJECTION: _____ TOP, _____ BOTTOM
 BASE FABRIC: _____ COLOR: _____

DOOR SIZE: _____ WIDTH, _____ HEIGHT
 DOCK HEIGHT: _____, BUMPER PROJECTION: _____
 APPROACH: LEVEL DECLINE INCLINE
 DIFFERENCE IN 50'-0"
 OPTIONS:
 VELCRO SLIT: _____ HEIGHT.
 3 ROPE PULL-UP
 UNIT SUPPORT FRAME: WOOD STEEL
 INSIDE WRAP - MATERIAL: _____, HEIGHT: _____

SPECIAL INFORMATION



PERMA TECH, INC.
 363 HAMBURG STREET • BUFFALO, NY 14204
 (716) 854-0707 • 1-800-DCC-SEAL
www.permatechinc.com

JOB: _____
 DEALER: _____
 CONTACT: _____ QUOTE #: _____
 APPROVED BY: _____