

PHARMA-ROLL®

HIGH PERFORMANCE ROLLING DOOR

The High-Speed Roll Door Designed to Meet FDA Guidelines

The Pharma-Roll door is designed specifically to meet the operational and sanitary requirements of the pharmaceutical industry. Its seals maintain the pressure differentials found in pharmaceutical facilities. The removable side frame covers, bottom bar and optional stainless steel hood provide for ease of wipe down cleaning.

The Pharma-Roll is the one door that will maintain the sanitary integrity of your pharmaceutical operations, while providing all the maintenance-saving and efficiency benefits of high performance, high-speed, break-away doors.

Sanitary - Stainless steel bottom bar and removable side covers permit full wipe down of all surfaces to maintain a sanitary environment.

Safe - Full-width, replaceable PVC window provides excellent visibility. Thru-beam photo eyes and pneumatic, dual-chamber reversing edge are standard.

Fast - Opens at up to 50 inches per second for improved traffic flow.

Takes a Hit - The Clean-Set™, Break-Away™ bottom bar with Ry-WI™ wireless can be reset in just seconds, without tools, virtually eliminating down time.

Ry-Wi™ System - State-of-the-art wireless technology eliminates the need for a coil cord. Two-way communication and total frequency control ensure safety and eliminate interference.

Simple to Control - The System 4® controller features state-of-the-art motion control technology, as well as pre-programmed and programable control options.



Shown with optional equipment



PHARMA-ROLL[®]

HIGH PERFORMANCE ROLLING DOOR

Model Name

- Rytec[®] Pharma-Roll[®] Door

Size and Dimensions

- Up to 16' W x 15' H
- 20" headroom above lintel
- 8" side clearance, non-drive
- Left or right hand motor placement
- 4" side column projection
- 17" head projection
- 16" side clearance, motor side

Safety

- Thru-beam photo eyes
- Dual-chamber pneumatic reversing edge
- Ry-Wi[™] wireless system

Available Options

- Fiberglass windribs
- 2-ply or 3-ply Rilon[™] or USDA-compliant panel material.

Warranty

- One-year limited warranty on materials and workmanship.
- Three-year limited warranty on 2-ply Rilon[™] panel material.



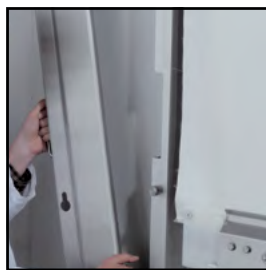
Quick-Set tabs for damage free release

Break-Away[™]

- The Clean-Set Break-Away[™] tabs permit the wireless bottom bar to release in either direction without damage to the door.
- Cutoff switches shut off motor when bottom bar is impacted.
- Automatically resets the door with a push of the button after aligning the bottom bar.

Side Frames

- Fully bolt-together aluminum side frames with removable covers with 304 stainless and #4 finish for easy cleaning.
- Full-height weatherseal to provide a tight seal.
- Dual NEMA 4X thru-beam electric photo eyes field installed.



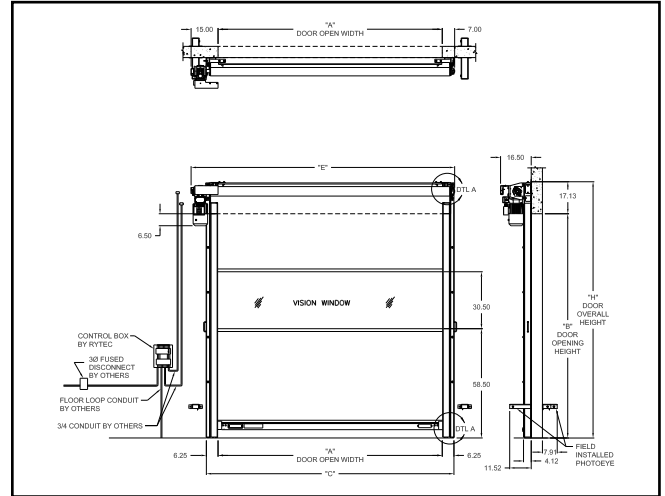
Edge-to-edge brush seal

Electrical Controls

- System 4[®] controller housed in a NEMA 4X rated enclosure with factory set parameters.
- Intelligent processor monitors and controls power consumption.
- Advanced self-diagnostics for troubleshooting.



System 4 shown with optional rotary disconnect



Travel Speed

- Opens at up to 50 inches per second.

Bottom Bar

- Stainless clad bottom bar with only a 3-inch profile height.
- Fabric loop seal hugs the floor for a tight seal.
- No coil cord or other electronics in the bottom bar.



Ry-Wi Wireless System

Cleaning

- Patented stainless steel side column covers can be removed, without tools, for fast, thorough cleaning.
- Smooth door panel allow for easy wipe down.
- Stainless steel components allow for easy wipe down to ensure sanitary conditions.



888-GO-RYTEC RytecDoors.com
 Tel 262-677-9046 Fax 262-677-2058
 One Cedar Parkway Jackson, WI 53037-0403