

PLEXLINE® CLEAN

HIGH PERFORMANCE COMPOSITE ROLLING DOOR

Clean Composite for Clean Compliance

The Plexline Clean door combines high speed, a tight seal and composite construction for greater efficiency and compliance even in harsh conditions. The durable fiberglass composite construction and stainless steel-clad bottom bar are easy to clean as well as chemical and corrosion-resistant. The standard door features front and rear panel seals, a vinyl loop along the leading edge and a header seal made of USDA/FDA-compliant material.

Whether it's a cGMP application or any environment where corrosion is a concern, the Plexline Clean door provides a polished appearance, an alternative to stainless steel and a remarkably low price.

Chemical and Corrosion-Resistant - Fiberglass composite frame is corrosion-resistant and chemical-resistant.

Exceptionally Clean - Smooth, flat and non-porous surfaces with hidden fasteners and rounded edges make it easy to clean.

Sanitary Full-Perimeter Seal - Edge-to-edge USDA/FDA-compliant material seals the top. Two vinyl seals in each side column seal against the front and rear of the panel. Soft and pliable vinyl loop along the floor completes the seal.

Fast - The direct-drive motor operates the door at up to 50 inches per second to quickly contain and separate environments and improve traffic flow and efficiency.

Safe - Full-width vision panel, an adjustable pneumatic reversing edge and thru-beam photo eyes are standard safety features.

Counterweighted Brake Release - The optional counterweighted brake release permits manual opening during power failures.

Takes a Hit and Resets - Quick-Set™ repair system permits the operator to reset the door with a push of a button after aligning the bottom bar.

Stainless Steel Alternative - The color palette combined with the composite material offer the comparable aesthetics of stainless steel.



Shown with optional hood



PLEXLINE[®] CLEAN

HIGH PERFORMANCE COMPOSITE ROLLING DOOR

Model Name

- Rytec[®] Plexline[™] Clean Door

Size and Dimensions

- Up to 16' W x 16' H
- 7" side column projection
- 24" headroom above lintel
- 15" head projection
- 11" side clearance, non-drive
- 19" side clearance, motor side
- Left or right hand motor placement

Safety

- Thru-beam photo eyes
- Ry-Wi[™] wireless system
- Pathwatch[™] safety light system
- Dual-chamber pneumatic reversing edge

Available Options

- Fiberglass windribs
- Composite hood and motor cover
- Counterweighted egress system

Warranty

- Two-year limited warranty on mechanical and electrical components.
- Three-year limited warranty on 2-ply Rilon[™] panel material.



Composite for Corrosion-Resistance

- Fiberglass composite construction.
- Chemical and corrosion-resistant.
- Stainless steel mounting hardware.
- Textured finish won't discolor, rust, corrode or oxidize.

Engineered for Cleanability

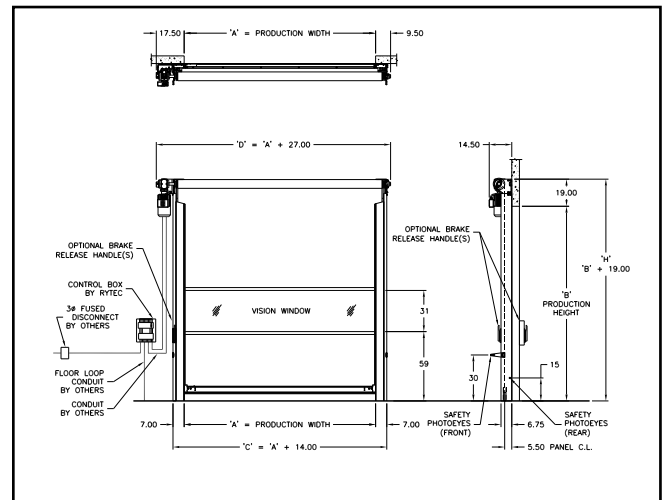
- Smooth flat and non-porous surfaces.
- Hidden fasteners and rounded edges.
- Standard stainless steel-clad bottom bar.
- Standard fiberglass connecting ribs.
- Chemical-resistance allows cleaning with most cleaners and compounds.



System 4 shown with optional rotary disconnect

Electrical Controls

- System 4[™] controller housed in a NEMA 4X rated enclosure with factory set parameters.
- Intelligent processor monitors and controls power consumption.
- Advanced self-diagnostics for troubleshooting.



Perimeter Sealed Against Infiltration

- USDA/FDA-compliant seals along the top of door seal from edge-to-edge.
- Two vinyl seals at front and rear of panel from top to bottom.
- Vinyl loop seals bottom edge of door.



USDA/FDA Vinyl loop provides a tight seal.



Standard Full-Width Vision Panel

Standard USDA/FDA Panel

- Standard 2-ply USDA/FDA-compliant material.
- 2-ply material provides compliance and resistance to pressure.
- Full-width vision panel.
- Optional 2-ply, 3-ply Rilon[™] or vinyl panel.
- 2-ply USDA/FDA panel with ribs withstands industry standard 0.10" W.C. of room pressurization.

Quick-Set[™] Repairs after Impact

- Engineered to Take a Hit[™].
- Panel releases if impacted from either direction.
- Automatically resets the door with a push of the button after aligning the bottom bar.



888-GO-RYTEC RytecDoors.com
Tel 262-677-9046 Fax 262-677-2058
One Cedar Parkway Jackson, WI 53037-0403