

# PREDACOOOL™

HIGH PERFORMANCE ROLLING COOLER DOOR

## The Cooler High-Speed Fabric Door

Built on the proven PredaDoor® platform, but engineered for the cooler environment, the new PredaCool is specifically designed for high traffic, cold storage applications where downtime isn't an option. With increased opening speeds, a heavy duty curtain and the reliability of a Rytec door, the PredaCool sets the new standard for cooler doors.

This high-speed, break-away fabric door reduces energy costs, improves productivity and decreases maintenance costs. And because it's engineered for coolers, the higher-speed operation and tighter seals help maintain critical temperature.

Rytec's PredaCool offers high performance for controlled interior applications where dependability is essential.

**Fast** - Single panel design along with a state-of-the-art door controller allows the PredaCool to achieve remarkable opening speeds.

**Safe** - Two sets of thru-beam photo eyes, Pathwatch™ safety system and a pneumatic reversing edge are standard. Optional Ry-Beam™ light curtain is available.

**Takes a Hit and Resets** - The Quick-Set repair system permits the operator to reset the door after aligning the bottom bar.

**Low Profile** - Using a significantly smaller footprint than most high speed cooler doors requiring less than 20" above the door opening and 4" side column projection.

**Increased Efficiency** - The elimination of wind ribs within the door panel produce smooth and quiet door operation as well as increased opening speeds.

**Total Digital Control** - The highly advanced System 4™ door controller enables precise door positioning, infinite speed adjustments and total control of all door functions.

**Durable Fabric Panel** - The durable 85.5 oz. 3-ply panel material is the most robust fabric panel in the industry and allows for increased lateral rigidity and is available in a variety of colors.

**Full-Perimeter Seals** - Hypalon wrapped brush seal at the top of the door. Dual brushes seals in each side column and vinyl loop seal along the floor completes the full-perimeter seal.



*Shown with optional windows*



# PREDACool™

## HIGH PERFORMANCE ROLLING COOLER DOOR

### Model Name

- Rytec® PredaCool™

### Size and Dimensions

- Up to 12' W x 16' H
- 20" headroom above lintel
- 8" side clearance, non-drive
- Left or right hand motor
- 4" side column projection
- 17" head projection
- 16" side clearance, motor side
- Interior openings only

### Safety

- Thru-beam photo eyes
- Pathwatch™ safety light system
- Dual-chamber pneumatic reversing edge
- Ry-Wi™ wireless system

### Available Options

- 17" x 17" Low-temp Windows

### Warranty

- Two year limited warranty on materials and workmanship.



Quick-Set™ tabs for damage free release

### Break-Away

- The Quick-Set™ tabs permit the wireless bottom bar to release in either direction without damage to the door.
- Cutoff switches shut off motor when bottom bar is impacted.
- Automatically resets the door with a push of the button after aligning the bottom bar.

### Tight Seal on All Sides

- Full height brush seals on each side of the side column.
- Edge-to-edge brush seal at the top of the door.
- Vinyl loop forms a tight seal to the floor.



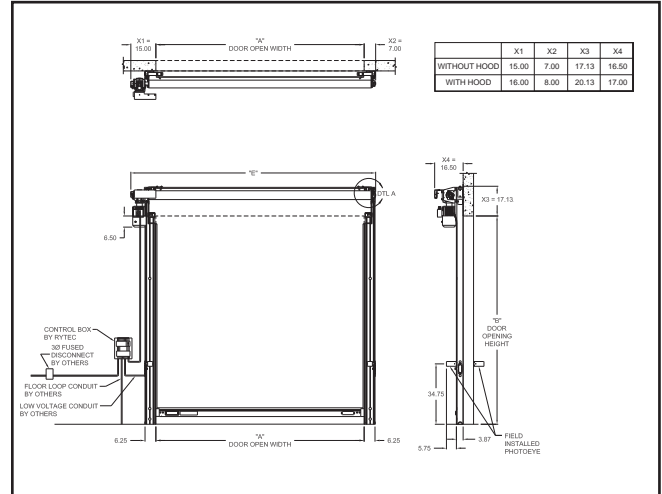
Edge-to-edge brush seal



System 4® shown with optional rotary disconnect

### Electrical Controls

- System 4® controller housed in a NEMA 4X rated enclosure with factory set parameters.
- Intelligent processor monitors and controls power consumption.
- Advanced self-diagnostics for troubleshooting.



### Drive System

- Three-phase, variable speed AC drive provides soft acceleration and deceleration.
- Independent opening and closing speeds provide flexibility to accommodate any application.



Direct drive motor



Automatic sleep mode extends battery life.

### Ry-Wi™ Wireless Safety System

- Continuous and uninterrupted signal eliminates the need for coil cords on the bottom bar while maintaining safety and reducing maintenance.
- The control reliable system is self-contained on each door with directional transmitters and receivers operating independently.



888-GO-RYTEC

Tel 262-677-9046

One Cedar Parkway

RytecDoors.com

Fax 262-677-2058

Jackson, WI 53037-0403