

TURBO-SEAL® SR

HIGH PERFORMANCE ROLLING DOOR

The World's Fastest, Low Profile, Self-Repairing Break-Away Door

The Turbo-Seal Self-Repairing (SR) door is a high-speed, high performance roll door engineered to enhance the flow of traffic and conserve energy while virtually eliminating downtime in demanding, high-traffic environments. The extreme high speed of the door, combined with an unmatched full-perimeter seal, helps maintain temperatures and dramatically reduce heating and cooling costs.

Because downtime is not an option in critical distribution, warehouse and manufacturing operations, the Turbo-Seal SR takes a hit from either direction, instantly releases and automatically resets itself - without any downtime, human interaction or damage to the door. The self-repair feature minimizes interruptions to a facility's operations and significantly reduces energy loss during the time it takes to repair the door.

Self-Repairing – If the door is impacted from either direction, a pre-programmed, self-repairing feature automatically brings the door to the full open position where it is reset. The software then initiates the closing cycle - without user intervention.

State-of-the-Art Controller – The System 4® door controller provides for soft starts and stops, self-diagnostic functions, programming features and alternate self-repairing configurations.

Safe – Dual thru-beam photo eyes and a dual pneumatic, auto-reversing edge in bottom bar are standard. Optional windows for visibility, and optional Ry-Beam™ light curtain system available.

Low Maintenance – Dual guided counterweights and AC Drive technology ensure smooth, maintenance-free operation.

Tightest Seal in the Industry – Weath-erseals on the top, bottom and Quad Seals™ on both sides of the door panel help reduce air infiltration.

Fast – With opening speeds up to 100 inches per second, the door opens quickly, reducing the chance of getting hit. High speed also permits the activation to be closer to the door.



TURBO-SEAL® SR

HIGH PERFORMANCE ROLLING DOOR

Model Name

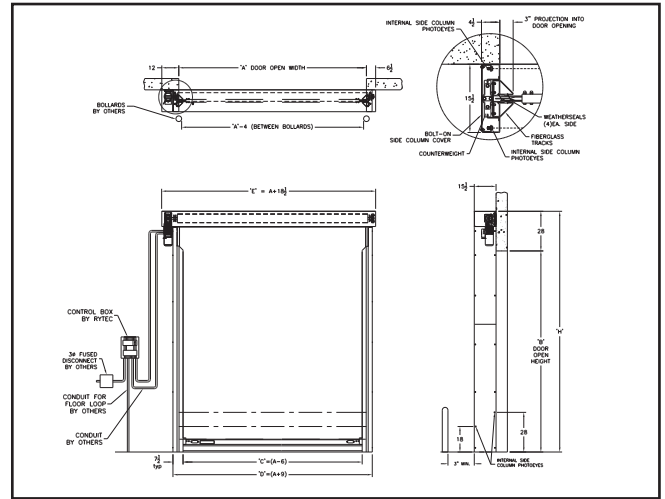
- Rytec® Turbo-Seal® SR Door

Size and Dimensions

- Up to 12' W x 16' H
- 28" headroom above lintel
- 15.5" side column projection
- 15.5" head projection
- 7.50" side column width
- 12" side clearance, motor side
- 6.5" side clearance, non-motor side
- Motor placement on right or left

Warranty

- One-year limited warranty on materials and workmanship.
- Three-year limited warranty on 2-ply Rilon™ panel material.
- Lifetime warranty on counterweights.



Unique design permits the door to break-away from either direction and automatically reset itself

Automatic Self-Repairing

- Panel Break-Away™ after impact from either direction.
- Instantly self-repairs and resets automatically.
- No human intervention or door downtime.

Safety

- Standard dual thru-beam photo eyes.
- Standard sensitivity-adjustable pneumatic reversing edge.
- Standard Ry-Wi™ Wireless System
- Standard Pathwatch™ threshold warning lights



Pathwatch Safety Light System indicates door closing

Tight Seal

- Dual full height weatherseal in side column seal against door panel.
- Vinyl loop seal hugs the floor for a tight seal.
- Door panel rolls off the front of the roll allowing for an adjustment-free tight seal at the top.



Unique design allows the panel to roll off the front of the drum for a tight top seal

Electrical Controls

- System 4™ controller housed in a NEMA 4X rated enclosure with factory set parameters.
- Intelligent processor monitors and controls power consumption.
- Advanced self-diagnostics for troubleshooting.



System 4 shown with optional rotary disconnect



HIGH PERFORMANCE DOORS

888-GO-RYTEC RytecDoors.com
Tel 262-677-9046 Fax 262-677-2058
One Cedar Parkway Jackson, WI 53037-0403