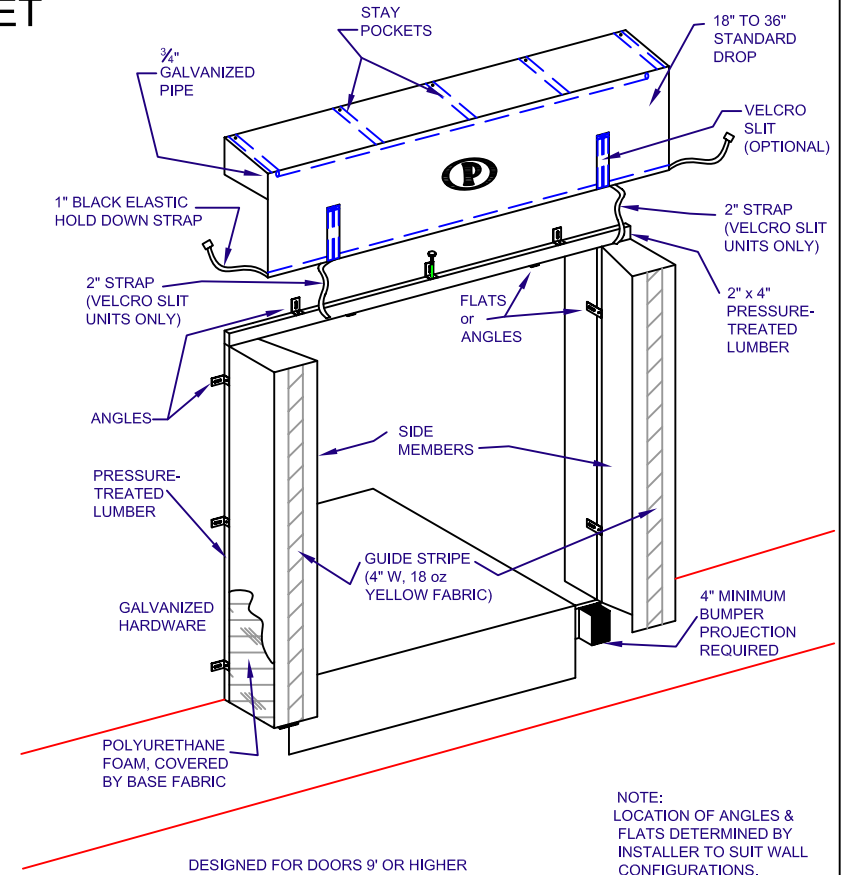
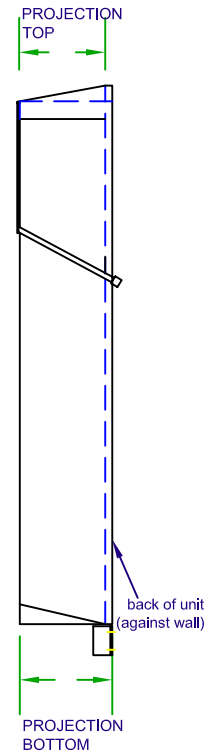
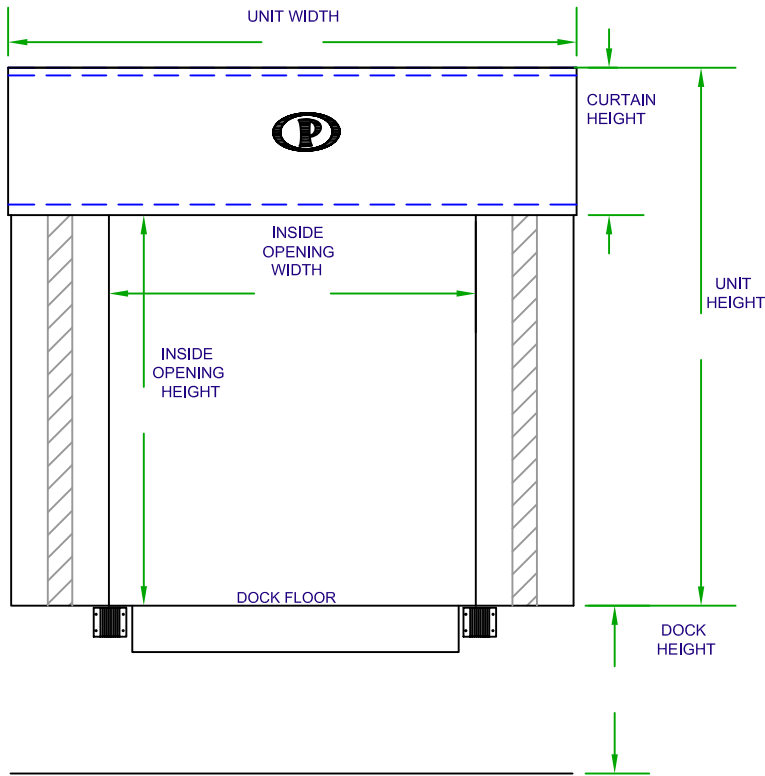
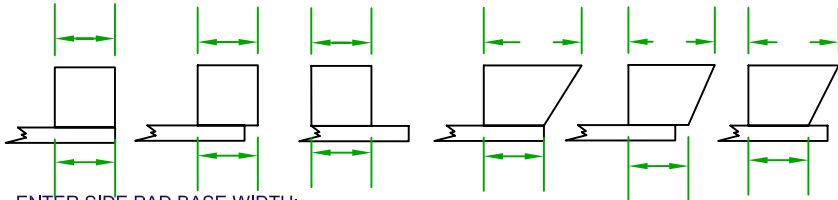


# "NF" (NO FOAM) HEADER DOCK SEAL SPECIFICATION SHEET

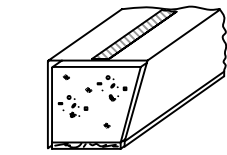


SIDE PAD MOUNTING VARIATIONS: CIRCLE ONE:

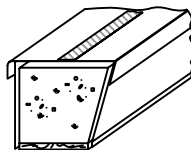
ENTER SIDE PAD FACE WIDTH:



ENTER SIDE PAD BASE WIDTH:



SINGLE BASE FABRIC



BASE FABRIC WITH CONTACT FACE

QUANTITY: \_\_\_\_\_, MODEL: \_\_\_\_\_  
 UNIT SIZE: \_\_\_\_\_ WIDTH, \_\_\_\_\_ HEIGHT  
 HEAD CURTAIN: \_\_\_\_\_ WIDTH, \_\_\_\_\_ DROP  
 INSIDE OPENING WIDTH: \_\_\_\_\_  
 INSIDE OPENING HEIGHT: \_\_\_\_\_  
 PROJECTION: \_\_\_\_\_ TOP, \_\_\_\_\_ BOTTOM  
 SIDE PAD: \_\_\_\_\_ HEIGHT, \_\_\_\_\_ WEDGE  
 CHAIN FLAP: \_\_\_\_\_ WIDTH, \_\_\_\_\_ LENGTH  
 BASE FABRIC: \_\_\_\_\_, COLOR: \_\_\_\_\_  
 FACE FABRIC: \_\_\_\_\_, COLOR: \_\_\_\_\_

## SPECIAL INFORMATION

DOOR SIZE: \_\_\_\_\_ WIDTH, \_\_\_\_\_ HEIGHT  
 DOCK HEIGHT: \_\_\_\_\_, BUMPER PROJECTION: \_\_\_\_\_

APPROACH:  LEVEL  DECLINE  INCLINE  
 \_\_\_\_\_" DIFFERENCE IN 50'-0"

### OPTIONS:

- VELCRO SLIT: \_\_\_\_\_ HEIGHT.  
 3 ROPE PULL-UP  
 UNIT SUPPORT FRAME:  WOOD  STEEL  
 INSIDE WRAP -  
 MATERIAL: \_\_\_\_\_, HEIGHT: \_\_\_\_\_



**PERMA TECH, INC.**

363 HAMBURG STREET • BUFFALO, NY 14204  
 (716) 854-0707 • 1-800-DOC-SEAL  
[www.permatechinc.com](http://www.permatechinc.com)

JOB: \_\_\_\_\_

DEALER: \_\_\_\_\_

CONTACT: \_\_\_\_\_

QUOTE #: \_\_\_\_\_

APPROVED BY SIGNATURE: \_\_\_\_\_