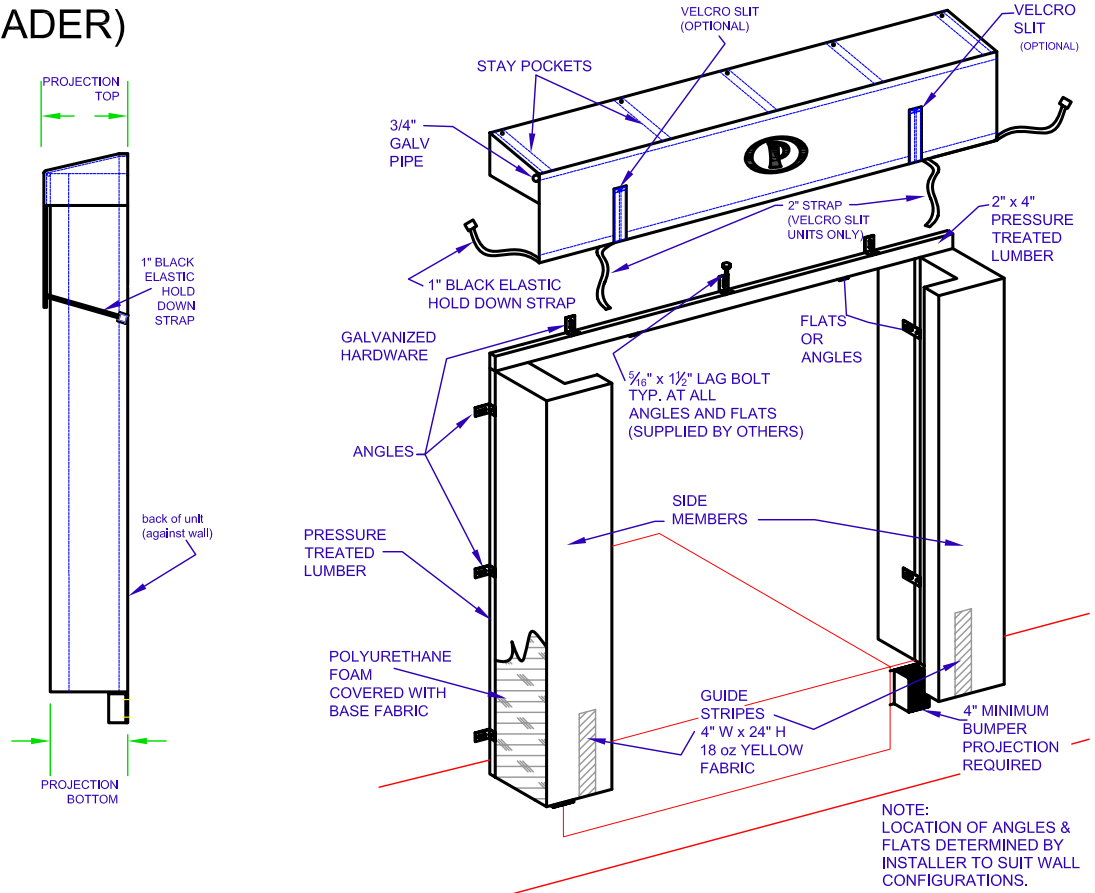
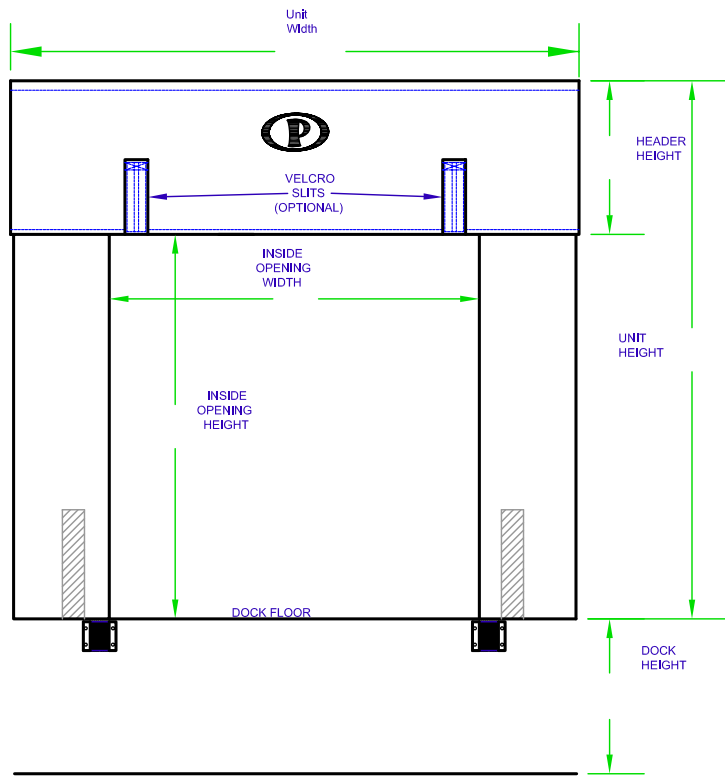
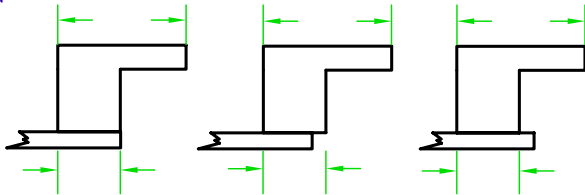


P90 SPECIFICATION SHEET (WITH NF HEADER)

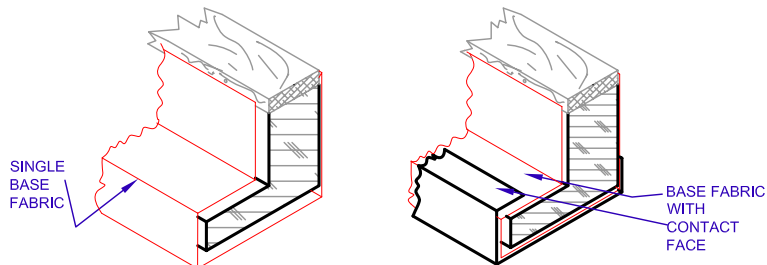


SIDE PAD MOUNTING VARIATIONS: CIRCLE ONE

Enter Side Pad Face Width:



Enter Side Pad Base Width:



QUANTITY: _____, MODEL: _____

UNIT SIZE: _____ WIDTH, _____ HEIGHT

HEAD CURTAIN: _____ WIDTH, _____ DROP

INSIDE OPENING WIDTH: _____

INSIDE OPENING HEIGHT: _____

PROJECTION: _____ TOP, _____ BOTTOM

SIDE PAD: _____ HEIGHT, _____ WEDGE

CHAIN FLAP: _____ WIDTH, _____ LENGTH

BASE FABRIC: _____, COLOR: _____

FACE FABRIC: _____, COLOR: _____

DOOR SIZE: _____ WIDTH, _____ HEIGHT

DOCK HEIGHT: _____, BUMPER PROJECTION: _____

APPROACH: LEVEL DECLINE INCLINE

_____ " DIFFERENCE IN 50'-0"

OPTIONS:

VELCRO SLIT: _____ HEIGHT.

3 ROPE PULL-UP

UNIT SUPPORT FRAME: WOOD STEEL

INSIDE WRAP - MATERIAL: _____, HEIGHT: _____.

SPECIAL INFORMATION

PERMA TECH, INC.
 363 HAMBURG STREET • BUFFALO, NY 14204
 (716) 854-0707 • 1-800-DOC-SEAL
www.permatechinc.com

JOB: _____

DEALER: _____

CONTACT: _____ QUOTE #: _____

APPROVED BY SIGNATURE: _____